



INSULATING LINER FOR 36" SLIDE-IN BARBECUE MODEL # 36-IL

The 36" insulating liner kit comes fully assembled with two hanging brackets, ready for installation. The cabinet opening dimensions for this unit must be $22\frac{1}{8}$ " deep x $42\frac{1}{2}$ " wide x $8\frac{1}{2}$ " high. Countertop material may be placed up to the insulating liner. **DO NOT** cover the liner. Countertop height must not exceed a thickness of 1", as the hanging brackets must be secured with screws to the wooden frame. (Exceeding a 1" thickness would result in the bracket screw holes incorrectly lining up over the countertop.)

INSTALLATION OF THE BARBECUE INSULATING LINER

To install the insulating liner make sure that the enclosure opening is sized correctly; then follow the three simple steps below.

STEP 1: On the inside left of the 2x4 wooden frame, pencil in two vertical lines "X" from the front of the enclosure (see Fig. 1 & 2). Then do the same on the inside right of the frame.

STEP 2: Now align the top of the hanging bracket base to sit level and flush with the top of stud "A", while lining your holes up with your penciled line (see Fig. 2 & 3). Insert screws (not provided) and tighten.

STEP 3: Then slide the fully assembled insulating liner down into place. You are now ready to install the barbecue.

Refer to the barbecue installation instructions for special propane gas venting requirements.

INSTALLATION OF THE BARBECUE

To install and operate your barbecue, please refer to the instructions and safety precautions included with your barbecue.

Replacement parts may be obtained from your nearest American Outdoor Grill dealer. For assistance in locating a dealer, you may contact the factory at the address listed below.

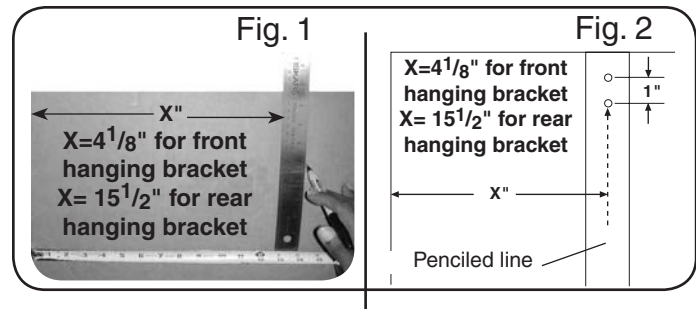
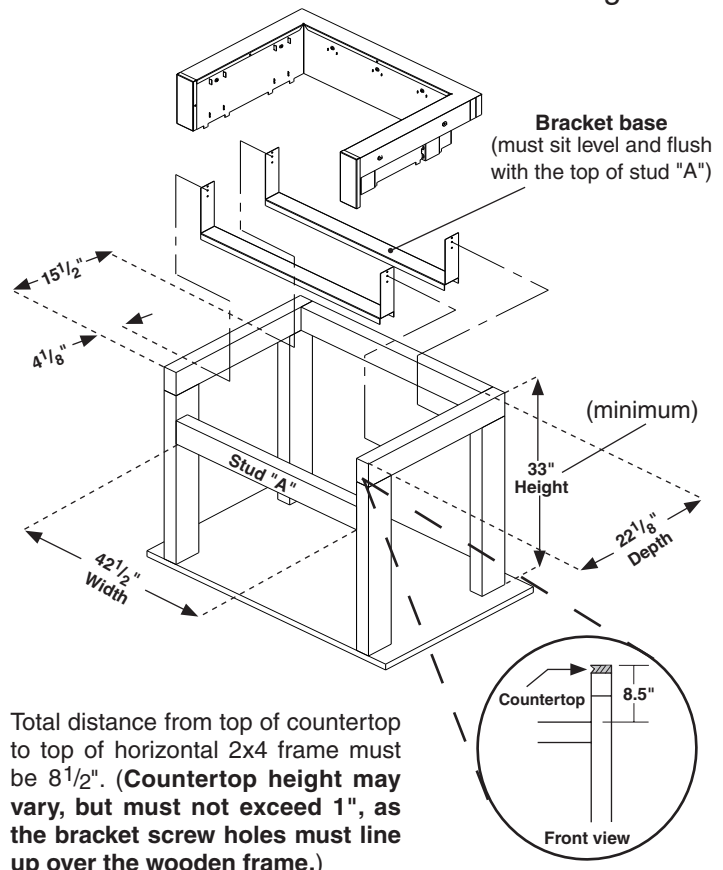


Fig. 3



Note: Total distance from top of countertop to top of horizontal 2x4 frame must be $8\frac{1}{2}$ ". (Countertop height may vary, but must not exceed 1", as the bracket screw holes must line up over the wooden frame.)