



# AMERICAN OUTDOOR GRILL INSULATING LINER INSTRUCTIONS

Read these instructions and the safety and installation portions of the barbecue instructions before liner installation.

The AOG insulating liner kit includes the pre-assembled liner and two support hangers. Liner dimensions are given in Table 1. A nominal  $\frac{1}{16}$ " gap around the back and sides of the liner is recommended for ease of installation. A minimum of a 20" airspace from combustible material is required directly below the insulating liner, as shown in Fig. 1-2. The countertop material may be placed up to the insulating liner on the back and sides. DO NOT cover the liner. If the countertop thickness exceeds 2", new screw holes must be made in the support hangers.

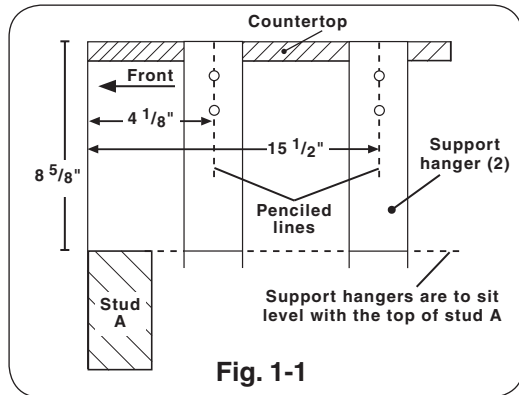
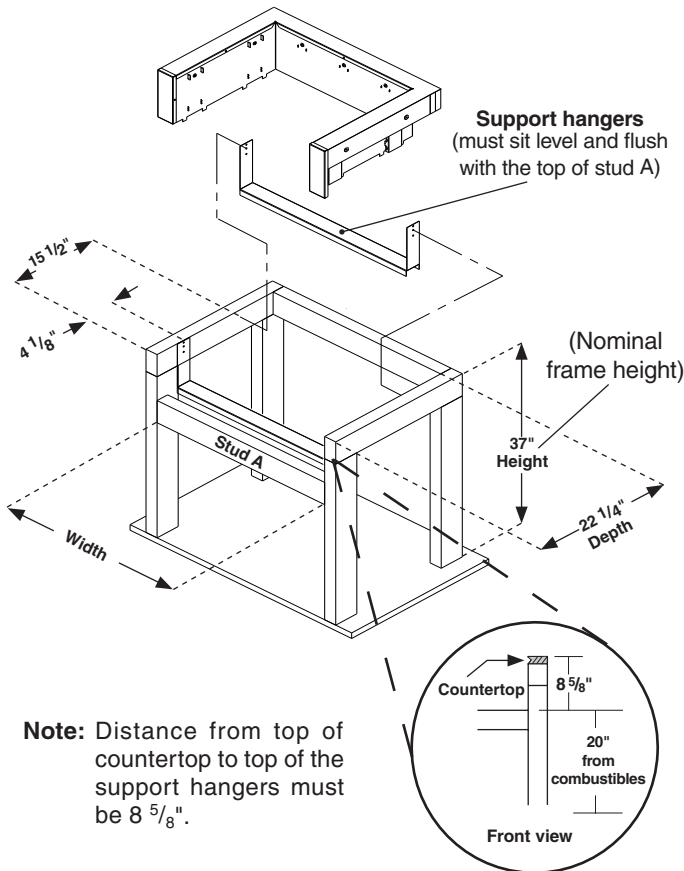


Fig. 1-1

**Note:** Drawings not to scale.

Fig. 1-2  
Installation



**Note:** Distance from top of countertop to top of the support hangers must be  $8 \frac{5}{8}$ ".

Model	Height*	Width	Depth
24"	$8 \frac{5}{8}$ "	$30 \frac{1}{4}$ "	$22 \frac{1}{4}$ "
30"	$8 \frac{5}{8}$ "	$36 \frac{1}{4}$ "	$22 \frac{1}{4}$ "
36"	$8 \frac{5}{8}$ "	$42 \frac{1}{2}$ "	$22 \frac{1}{4}$ "

\*Support extends 1" below bottom of liner.

## INSTALLATION

**Note:** Additional framing may be necessary to properly anchor the support hangers.

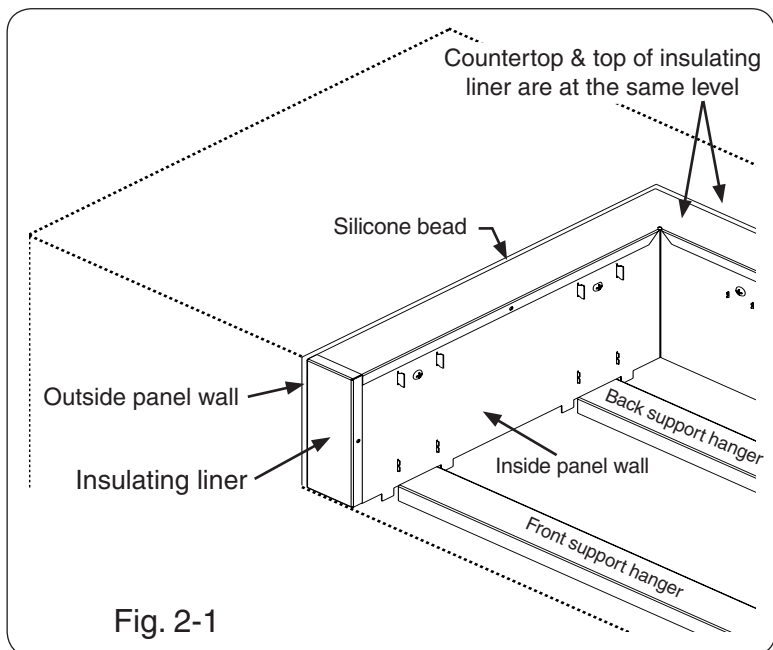
**Step 1:** On the inside of the barbecue opening, pencil in two vertical lines  $4 \frac{1}{8}$ " and  $15 \frac{1}{2}$ " from the front of the enclosure (see Fig. 1-1). Do the same on the opposite side as well.

**Step 2:** Align the top of the support hangers level and flush with the opening  $8 \frac{5}{8}$ " down from the countertop (i.e., the top of stud A). Line up hanger holes with your penciled lines (see Fig. 1-1 & 1-2) and screw into position.

**Step 3:** Install the insulating liner as shown in Fig. 2-1. **Top of liner must be flush with countertop.**

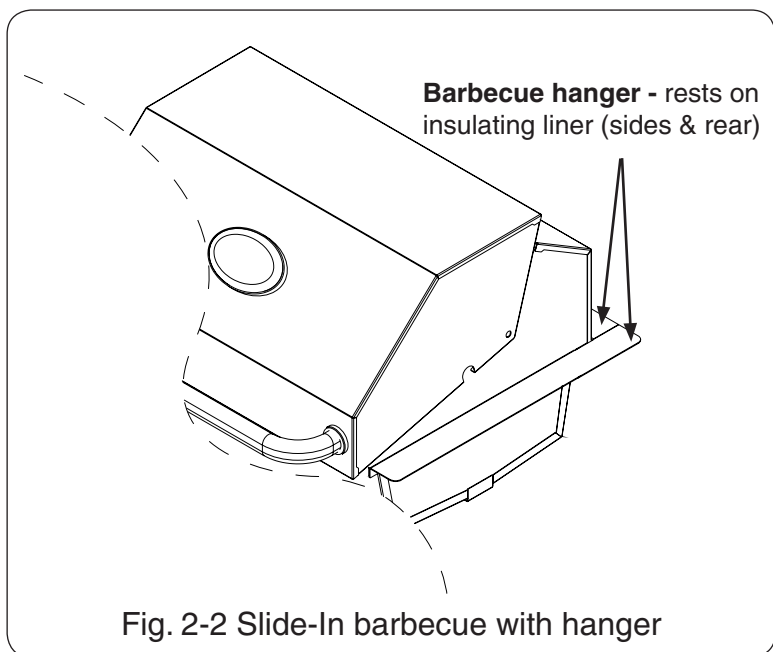
Refer to the barbecue safety precautions and installation instructions to install the barbecue and for special propane gas venting requirements.

## IMPORTANT INFORMATION



Countertops and cabinet faces made of combustible material, such as wood, Formica, and Corian, can extend up against the outside walls of the insulating liner and be joined by a bead of silicone sealer rated for 400°F or higher, as shown in Fig. 2-1. Never build over the insulating liner with combustible materials, as this will interfere with the barbecue hanger.

**CAUTION:** Do not extend countertop or cabinet face materials beyond the outside wall of the liner panels. Seal the space between the insulating liner and the countertop with silicone sealer.



**DO NOT ALLOW THE BARBECUE HANGERS TO COME IN CONTACT WITH THE COUNTERTOP OR ANY COMBUSTIBLE SURFACE (Fig. 2-2).**

**Enclosures built of wood or other combustible materials** must include the proper space for the insulating liner. A support shelf or ledge below the countertop is not needed to support the barbecue and insulating liner. The two support hangers provided will support the liner and barbecue.

Replacement parts may be obtained from your nearest American Outdoor Grill dealer. For assistance in locating a dealer, you may contact the factory at the address listed below or visit the AOG website indicated below.